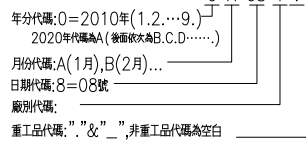


廠別代碼:
T=TW-台灣
D=DG-東莞
E=KS-昆山長江廠
K=KS-昆山青陽廠
G=CG-重慶

6. DATE CODE 編碼原則

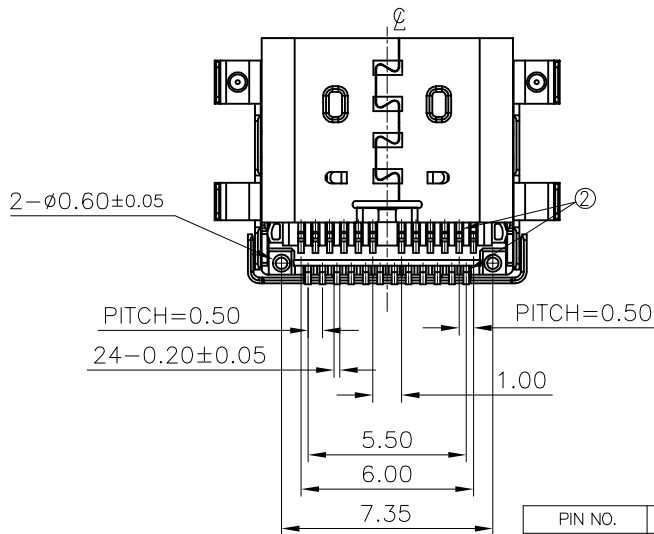
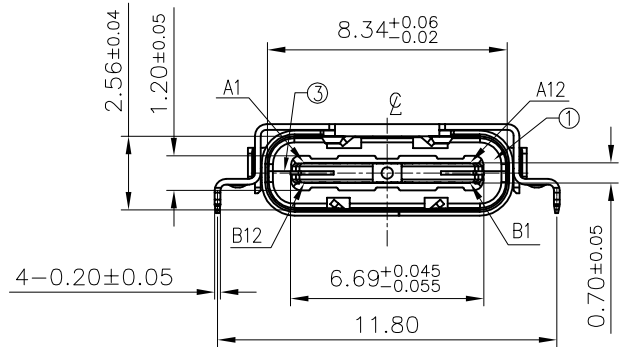
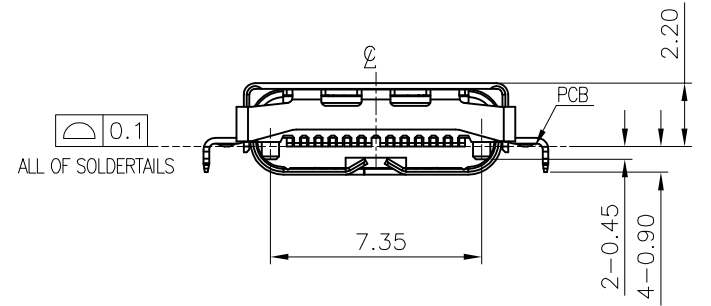
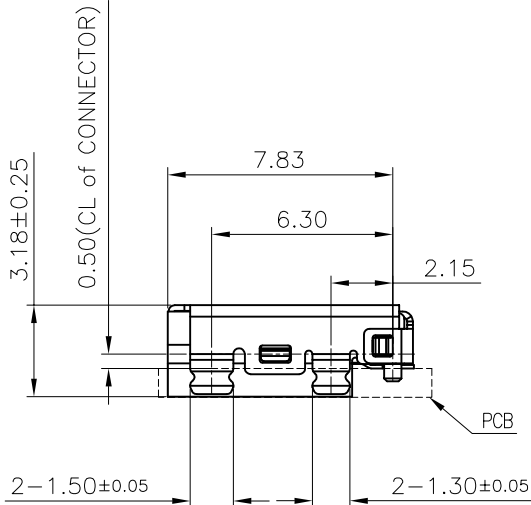


NOTES:

- MATERIAL:
 - HOUSING: THERMOPLASTIC, HIGH TEMP., UL94V-0;
 - CONTACT: HIGH CONDUCTIVITY COPPER ALLOY
 - GROUND PIN: STAINLESS STEEL
 - OUTER SHELL: STAINLESS STEEL
- FINISH:
 - CONTACT:
 - Gold Flash ON CONTACT FOR LEAD FREE
 - 30" Au ON CONTACT FOR LEAD FREE.
 - 40~100u" NICKEL UNDERPLATING OVERALL.
 - SOLDER TAILS: TIN 60u" MIN. OVER NICKEL.
 - GROUND PIN & SHELL :
 - 50u" MIN NICKEL UNDERPLATING OVERALL.
- SPEC. PLS. REFER TO PS-55907-xxxxx-xxx
- PACKAGE PLS REFER TO 55960-xxxxx-xx-TRP
- PART NUMBER:

55960-024 X X-XXX

NO OF CKT	PLATING
PACKING	001:NONE
0: TAPE & REEL	2: Gold Flash
	D: 30u" Au



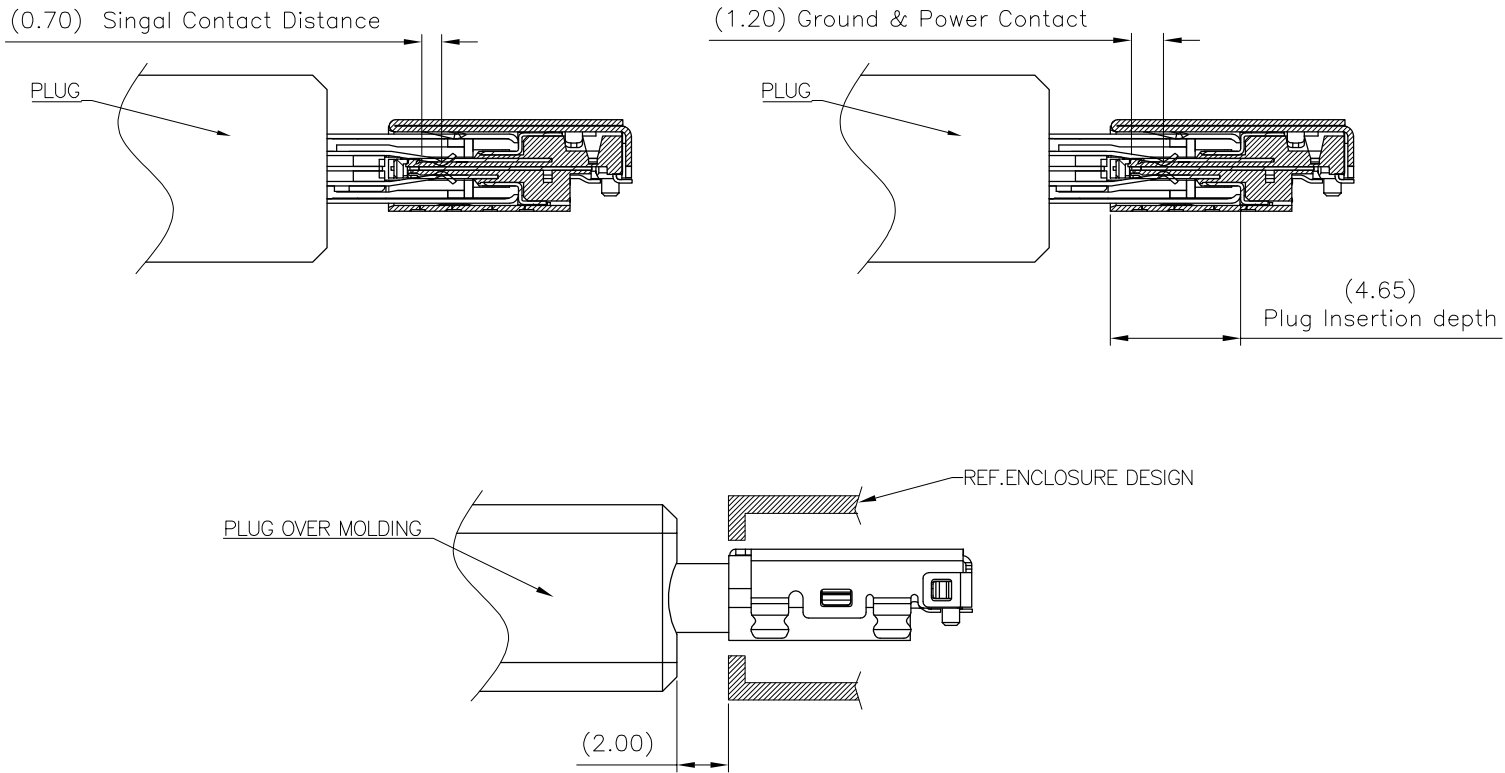
PIN NO.	A1	A2	A3	A4	A5	A6	A7	A8	A9	A10	A11	A12
SIGNAL NAME	GND	SSTXp1	SSTXn1	VBUS	CC1	Dp1	Dn1	SBU1	VBUS	SSRXn2	SSRXp2	GND
PIN NO.	B12	B11	B10	B9	B8	B7	B6	B5	B4	B3	B2	B1
SIGNAL NAME	GND	SSRXp1	SSRXn1	VBUS	SBU2	Dn2	Dp2	CC2	VBUS	SSTXn2	SSTXp2	GND

4	OUTER SHELL	1
3	GROUND PLATE	1
2	CONTACT	24
1	HOUSING	2
ITEM	DESCRIPTION	Q'TY

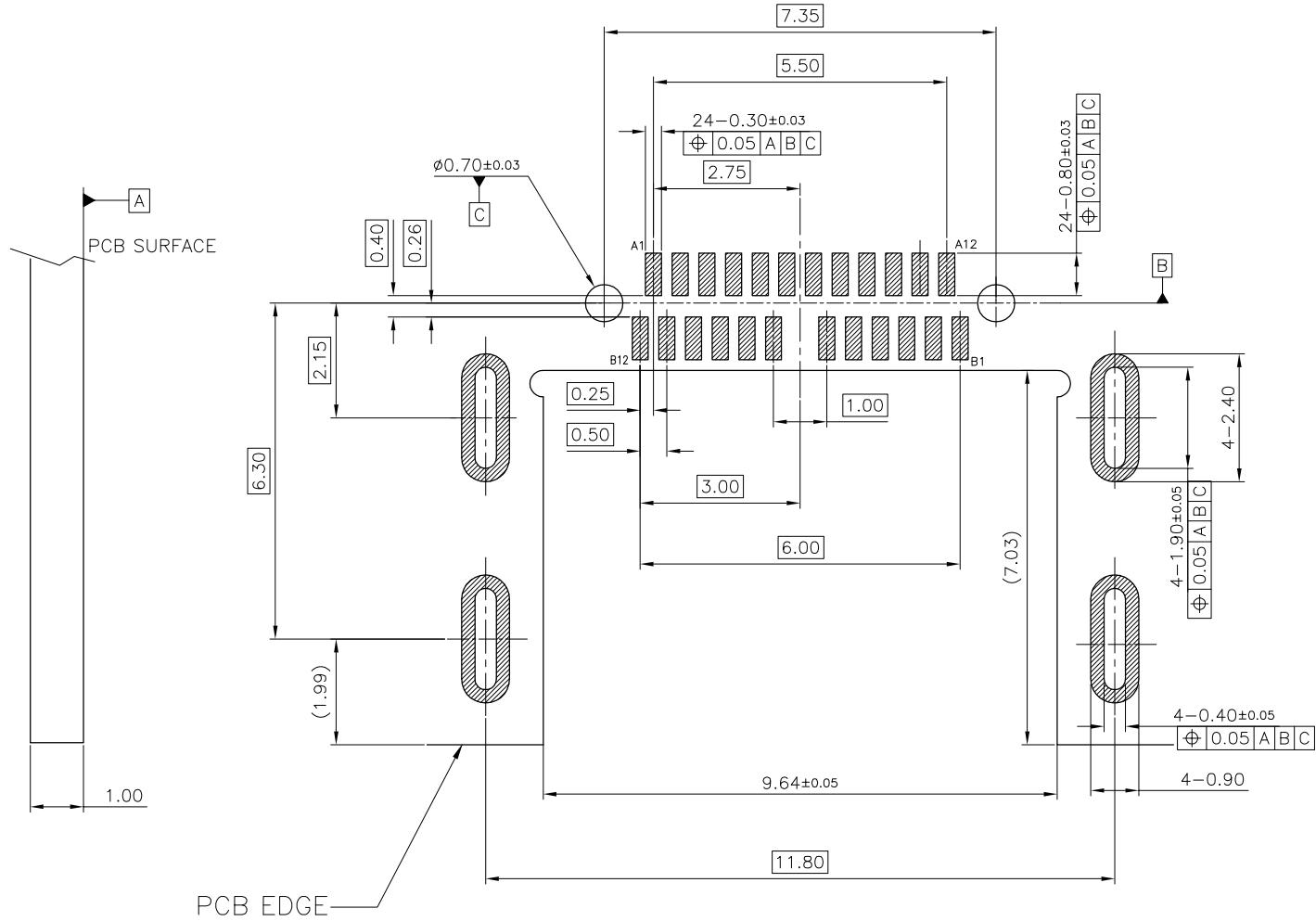
一般公差 TOLERANCES X ±0.50 .XX ±0.15 X ±0.25 .XXX ±0.10 ANGLES ±1°	宏致電子股份有限公司 Aces Electronics Co.,Ltd.	
檢驗尺寸標示 SYMBOLS INDICATE CLASSIFICATION DIMENSION	品名 (TITLE) USB3.1 Type C Mid-mount REC ASSY (R/A)	製圖 (DR) 21'/10/22 Liu,hua 審核 (CHKD) BRAVE
⊗ MARK IS CRITICAL DIM. ⊕ MARK IS MAJOR DIM.	圖號 (DWG.NO) 55960-024XX-XXX	核准 (APPD) BRAVE
表面處理 (FINISH)	比例 (SCALE) 單位 (UNITS) 4:1 mm	張數 (SHEET) 1 OF 3 圖號 (DWG.NO) A4 C



RECPT & PLUG MATING DRAWING



一般公差 TOLERANCES X ±0.50 .XX ±0.15 X ±0.25 .XXX ±0.10 ANGLES ±1°		宏致電子股份有限公司 Aces Electronics Co.,Ltd.	
檢驗尺寸標示 SYMBOLS INDICATE CLASSIFICATION DIMENSION	品名 (TITLE) USB3.1 Type C Mid-mount REC ASSY (R/A)	製圖 (DR) 21/10/22 Liu,hua 審核 (CHKD) BRAVE	
MARK IS CRITICAL DIM. MARK IS MAJOR DIM.	圖號 (DWG.NO) 55960-024XX-XXX	核准 (APPD) BRAVE	
表面處理 (FINISH)	比例 (SCALE) 4:1	單位 (UNITS) mm	張數 (SHEET) 2 OF 3
			尺寸 (SIZE) A4
			版次 (REV) C



RECOMMENDED PCB LAYOUT

TOP VIEW
SCALE 8:1
(TOLERANCE = ±0.05mm)

一般公差 TOLERANCES X ±0.50 .XX ±0.15 X ±0.25 .XXX ±0.10 ANGLES ±1°		宏致電子股份有限公司 Aces Electronics Co.,Ltd.	
檢驗尺寸標示 SYMBOLS INDICATE CLASSIFICATION DIMENSION	品名 (TITLE) USB3.1 Type C Mid-mount REC ASSY (R/A)	製圖 (DR) 21/10/22 Liu,hua	
MARK IS CRITICAL DIM. MARK IS MAJOR DIM.	圖號 (DWG.NO) 55960-024XX-XXX	審核 (CHKD) BRAVE	
表面處理 (FINISH)	比例 (SCALE) 4:1	單位 (UNITS) mm	核准 (APPD) BRAVE
		張數 (SHEET) 3 OF 3	尺寸 (SIZE) A4
			版次 (REV) C